



SPECIFICATIONS

Customer	
Product Name	Wire Wound SMD Power Inductor
URAI Part Number	0420Series
Customer Part Number	

New Released, Revised]

【This SPEC is tota 6 pages.】

【ROHS Compliant Parts】

Approved By	Checked By	Issued By

Shenzhen Yourui Electronics Co., Ltd.

Address: Second floor, C Building, Huiqing Science and Technology Park, Guanlan Street Dafu Industrial Zone, Longhua District, Shenzhen City, China 518000

【For Customer approval OnDT】

Date: _____

Qualification Status: Full Restricted Rejected

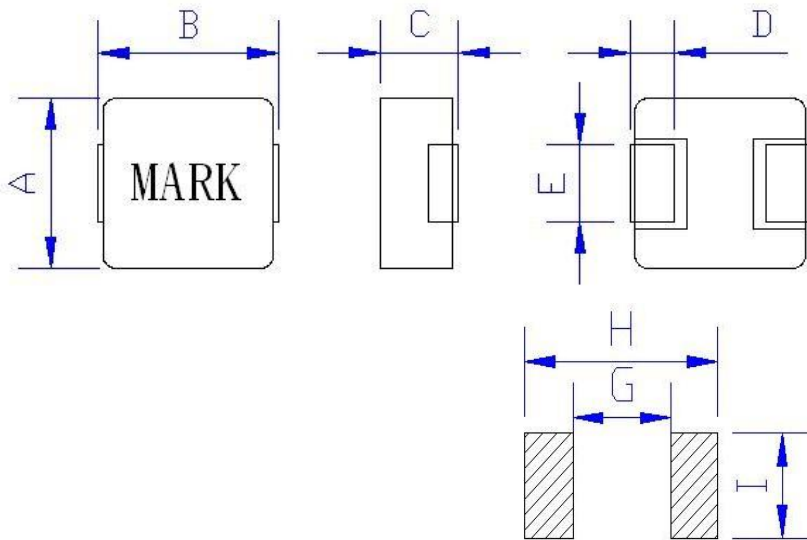
Approved By	Verified By	Re-checked By	Checked By

Comments:



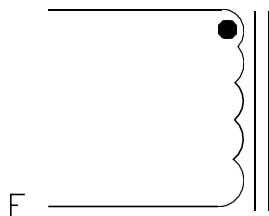
产品名称 DESCRIPTION	一体成型贴片电感 SMD MOLDING POWER INDUCTOR
产品型号 ORDERING CODE	DT0420H-Series

外形尺寸及推荐焊盘 External Dimensions & PCB Pattern :



A:	4.1	± 0.3
B:	4.45	± 0.3
C:	2.0	Max.
D:	1.1	± 0.3
E:	2.0	± 0.3
G:	1.7	Ref.
H:	5.1	Ref.
I:	2.3	Ref.

原理图 Schematic Diagram :



内部结构 Internal Structure

" " START FOR STAND

物料清单 Material List :

NO	ITEM	MATERIAL	SUPPLIER OF THE MATERIAL
1	CORE	合金粉	DT
2	COPPER	聚酯亚胺漆包线	TOTOKU
3	BLAK	银白色料片	ZS
4	INK	黑色油墨	YMS



产品名称 DESCRIPTION	一体成型贴片电感 SMD MOLDING POWER INDUCTOR
产品型号 ORDERING CODE	DT0420H-Series

电气特性 Electrical Characteristic:

*额定电流：是指基于电感变化率时比标称电感L值低20%和基于温度上升时（因自身发热而温度上升40℃）两者中较小值。

*饱和电流：瞬间加载后电感值 Inductance 下降不超过初始电感值 Inductance 30%的电流值。

*下列参数为我司常规产品特性，如果不能满足您的需求，请与我们联系。

*测量条件： 1、初始电感量L0：100KHz/1V@25±3℃。

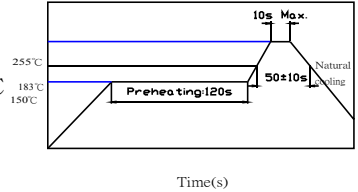
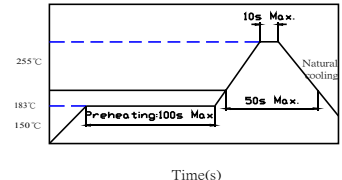
3、工作温度范围：-40℃~85℃。

特性参数; Characteristic Data:

产品料号 Part NO.	L0 (μ H)	直流电阻		额定电流	饱和电流
	@100kHz/1.0V	DCR (m Ω)		L rms (A)	L sat (A)
	±20%	Typ.	Max.	Typ.	Typ.
DT0420H-R22M	0.22	5.3	6.4	7	14
DT0420H-R33M	0.33	8	9.6	6.5	12
DT0420H-R47M	0.47	14	17	6	10
DT0420H-R68M	0.68	17	20.4	5	8
DT0420H-1R0M	1.0	26	32	4	7
DT0420H-1R5M	1.5	35	42	3.5	6
DT0420H-2R2M	2.2	52	62	3	5
DT0420H-3R3M	3.3	75	90	2.5	4
DT0420H-4R7M	4.7	115	150	2	3.5
DT0420H-6R8M	6.8	121	150	1.8	3
DT0420H-100M	10	278	334	1.5	2.5



产品名称 DESCRIPTION	一体成型贴片电感 SMD MOLDING POWER INDUCTOR	
产品型号 ORDERING CODE	DT0420H-Series	
测试项目 TEST ITEMS	规格要求 SPECIFICATIONS	测试条件/测试方法 TEST CONDITIONS / TEST METHODS
电气特性测试 ELECTRICAL PERFORMANCE TEST		
电感量 (L)	参照特性参数表 REFER TO STANDARD ELECTRICAL CHARACTERISTIC LIST.	MICROTEST6377
直流电阻 (DCR)		TH2511
额定电流 (IDC)		加载电流后, 电感量下降不超过30%, 或温升不超过40°C APPLIED THE CURRENT TO COILS THE INDUCTANCE CHANGE SHOULD BE LESS THAN 30% TO INITIAL VALUE AND TEMPERATURE RISE SHOULD NOT BE 40
温升测试 TEMPERATURE RISE TEST	温升不超过40°C	加载额定电流, 保持4小时 APPLIED THE ALLOWED DC CURRENT FOR 4 HOURS.
过载测试 OVER LOAD TEST	没有明显的电气损坏 NO EVIDENCE OF ELECTRICAL DAMAGE	加载1.5倍额定电流, 保持5分钟 APPLIED 1.5 TIMES OF RATED ALLOWED DC CURRENT TO INDUCTORS FOR A PERIOD OF 5 MINUTES.
机械特性测试 MECHANICAL PERFORMANCE TEST		
耐焊性 SOLDER HEAT RESISTANCE	电感器无外观和电气特性损伤 INDUCTORS SHOULD HAVE NO EVIDENCE OF ELECTRICAL AND MECHANICAL DAMAGE	预热: 150°C 100s Max. 焊锡温度 SOLDER TEMPERATURE: 255±5°C DIP TIME: 10s Max.
振动测试 VIBRATION TEST	电感量变化不超过10% INDUCTANCE SHOULD NOT CHANGE MORE THAN ±10%	振幅: 1.5 mm 频率: 10-55-10HZ / 1 MIN 方向: X, Y, Z 时间: 2 HRS/X, Y, Z
冲击测试 SHOCK TEST		待测品从距离地面1米高自由跌落至3厘米后的木板上, 10次 INDUCTORS SHOULD BE DROPPED 10 TIMES FROM A HEIGHT OF 1m ONTO 3cm WOODEN BOARD.
可焊性测试 SOLDERABILITY TEST	超过90%的电极被锡覆盖 MORE THAN 90% OF TERMINAL ELECTRODE SHOULD BE COVERED WITH SOLDER.	预热: 150°C 120s 焊接温度: 255±5°C 时间: 10s Max.



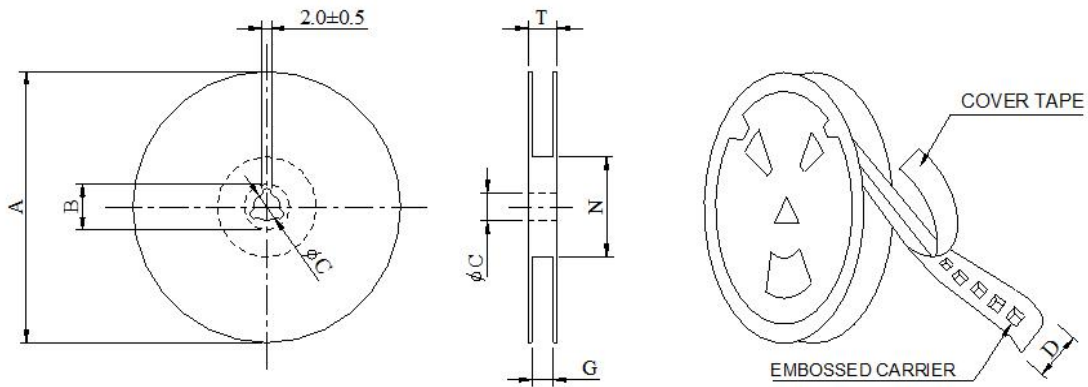


产品名称 DESCRIPTION	一体成型贴片电感 SMD MOLDING POWER INDUCTOR	
产品型号 ORDERING CODE	DT0420H-Series	
测试项目 TEST ITEMS	规格要求 SPECIFICATIONS	测试条件/方法 TEST CONDITIONS / TEST METHODS
环境测试 CLIMATIC TEST		
温度特性 TEMPERATURE CHARACTERISTIC	无外观破损 APPEARANCE:NO DAMAGE 电感量变化不超过10% INDUCTANCE:WITHIN±10% OF INITIAL VALUE.	-45℃ ~ +85℃
湿度测试 HUMIDITY TEST		60℃±2℃ / 96±2 小时 R.H:90-95%RH
低温储存 LOW TEMPERATURE STORAGE		-45℃±2℃ / 24小时 室温静置1小时后测试 Test at room temperature for 1 hour
冷热冲击测试 THERMAL SHOCK TEST		-45±2℃ 30分钟, +85±2℃ 30分钟 100次循环 静置2小时后测试 Test at room temperature for 1 hour
高温储存 HIGH TEMPERATURE STORAGE		85℃±2℃ / 24小时 室温静置1小时后测试 Test at room temperature for 1 hour

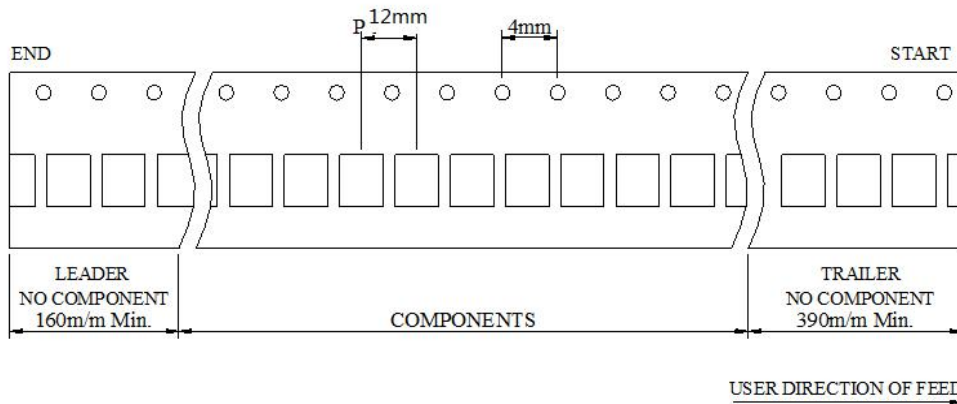


产品名称 DESCRIPTION	一体成型贴片电感 SMD MOLDING POWER INDUCTOR
产品型号 ORDERING CODE	DT0420H-Series

包装方式PACKAGE TYPE :



*CARRIER TAPE WIDTH: D



STYLE	DIMENSIONS (m/m)							
	Q'TY (PCS)	A	B±0.8	C±0.5	D	G+0	N-0	T
13	3,000	330	21	13	16	16	100	19